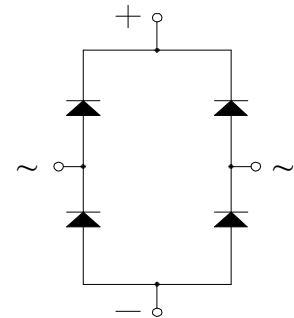




BF80.04

POWER RECTIFIER BRIDGE

Output Current **80 A**



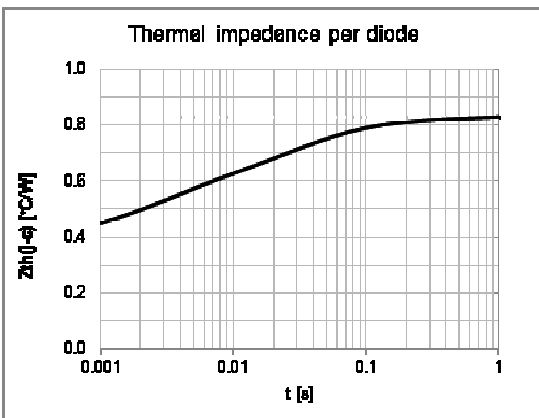
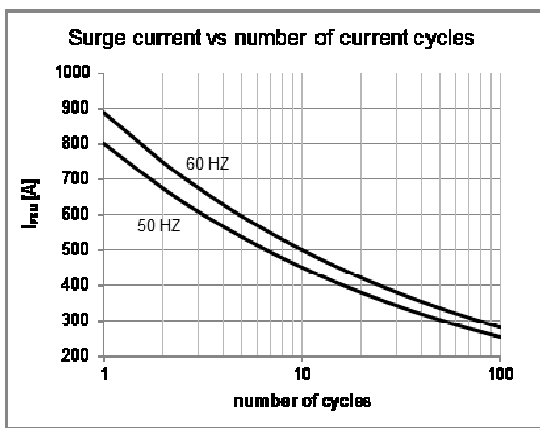
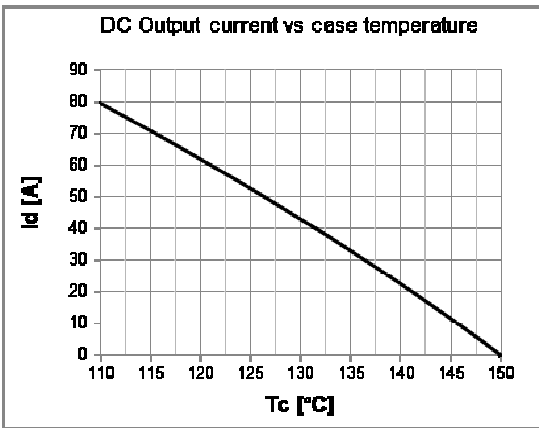
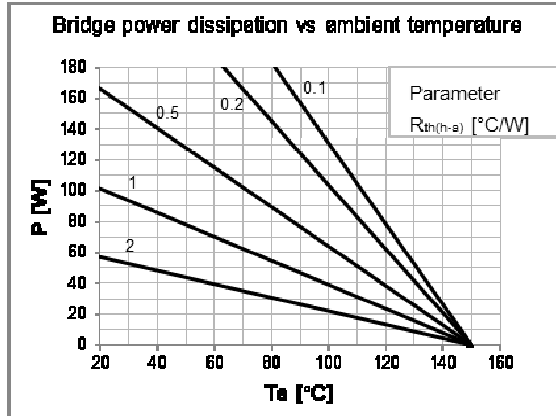
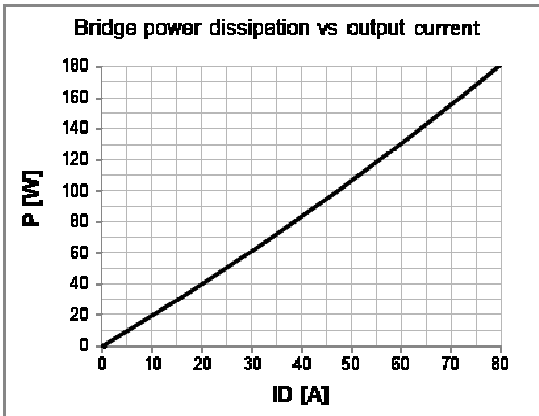
V_{RRM}	V_{RSM}	P/N
400	500	BF80.04

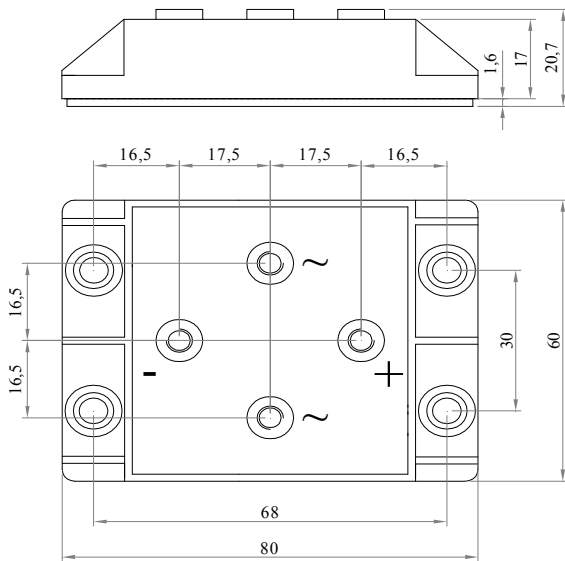
Features
 Low forward voltage diodes for high surge capability
 Low thermal impedance packaging
 Electrically insulated case

Applications
 High frequency applicatin
 Battery charger rectifiers
 Single phase rectifier for power supplies
 Rectifiers for DC motor fields supplies

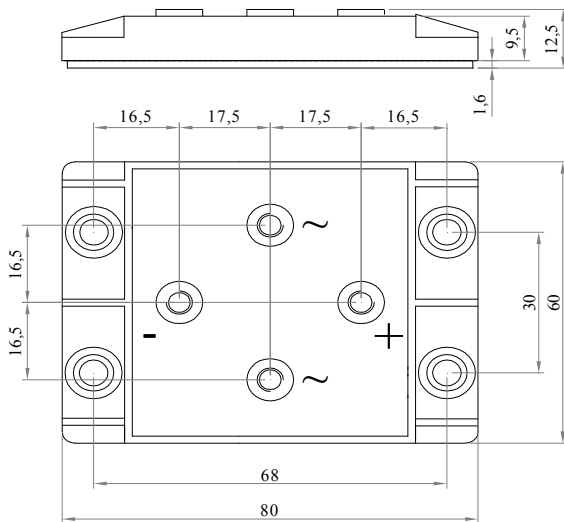
Diodes characteristics		Conditions	T_j [°C]	Value
I_{RRM}	Max repetitive peak reverse current	$V = V_{RRM}$	150	4 mA
$V_{F(TO)}$	Threshold voltage		150	0,95 V
r_F	Forward slope resistance		150	1,85 mΩ
V_{FM}	Peak forward voltage, max	$I_F = 80A$	25	1,2 V
I_{FSM}	Surge forward current	Half sine wave, 10 ms	150	800 A
I^2t	Max I^2t for fusing		150	3200 A ² s
T_{jmax}	Operating junction temperature			-40 / 150 °C
$R_{th(j-c)}$	Thermal resistance (junction to case)	DC operation		0,83 °C/W
$R_{th(j-c)}$	Thermal resistance (junction to case)	Rectangular wave 180° conduction		0,89 °C/W

Module characteristics		Conditions	Value
I_D	DC output current	$T_c = 110$ °C	80 A
I_D	DC output current	$T_a = 40$ °C ; freely suspended	8 A
V_{INS}	RMS Insulating voltage	50 / 60 Hz $t = 1$ s ($i < 1$ mA)	3600 V
V_{INS}	RMS Insulating voltage	50 / 60 Hz $t = 60$ s ($i < 1$ mA)	3000 V
$R_{th(j-c)}$	Thermal resistance (junction to case)	DC operation	0,208 °C/W
$R_{th(j-c)}$	Thermal resistance (junction to case)	Rect. wave 180° conduction	0,223 °C/W
$R_{th(c-h)}$	Thermal resistance (case to heatsink)	Mounting surface flat, smooth and greased	0,060 °C/W
$R_{th(j-a)}$	Thermal resistance (junction to ambient)	Freely suspended or mounted on an insulator	9,0 °C/W
$R_{th(j-a)}$	Thermal resistance (junction to ambient)	Mounted on a painted metal sheet 250x250x1 mm	3,8 °C/W
T_{stg}	Max storage temperature		150 °C
M_1	Mounting torque, ± 15 %		4,5 N·m 40 lb·inch
M_2	Terminal connection torque, ± 15 %		3,0 N·m 26 lb·inch



**Fig.1****BF80.04-SS5-FIX5-HP-P68-TA**

Code:BF80000800000

**Fig.2****BF80.04-SS5-FIX5-LP-P68-TA**

Code:BF80000800001

Power fix:

SS=Screw (M5)

Mounting fix:

FIX= Ø5,5